



BW Technologies by Honeywell
2840 - 2 Avenue SE
Calgary, AB
Canada T2A 7X9

403-248-9226 Corporate
403-273-3708 Fax
800-663-4164 Toll Free



February 4, 2010

Important Safety Notice – Required Action

Required action for all pump driven GasAlertMicro 5 Series and X5 Series gas detectors

(Instruments operating strictly in diffusion mode are not impacted)

Regions Affected: **Worldwide**

BW Technologies by Honeywell has identified a potential firmware irregularity for GasAlertMicro 5, GasAlertMicro 5 IR, GasAlertMicro 5 PID and X5 portable gas detectors operating with the motorized pump option. The instrument firmware may not consistently detect a pump that is non-functional or has seized during the start-up sequence.

Effective immediately, all users of GasAlertMicro 5 Series and X5 Series detectors with pumps must discontinue use in pump mode until a firmware upgrade is available. We recommend using the GasAlertMicro 5 Series or X5 Series instruments in diffusion mode with external motorized sampling pumps* or manual aspirator kits until a remedy is implemented.

This is being resolved with the highest level of importance. The resolution will be released in February and updated information will be posted as it is available on www.gasmonitors.com at this [link](#). Routinely return to that location for the latest information.

Users should register for their free field upgrade kit using this [link](#) or by visiting www.gasmonitors.com. For further information or assistance, please contact your BW Regional Sales Manager or BW Customer Service Representative at:

United States: 1-888-749-8878

Europe: +44 (0) 1295 700 300

China: +86 10 6786 7305

Canada: +1-800-663-4164

France: +33 (0) 442 98 17 70

South East Asia: +65 6580 3468

Brazil: +55 11 3475 1873

Germany: +49 (0) 2137 17 6522

Australia: +613 9464 2770

Other Countries: +1 403 248 9226

Middle East: +971 4 8871766

Shane McEwen

Product Marketing, Portables Americas

BW Technologies by Honeywell and Honeywell Analytics

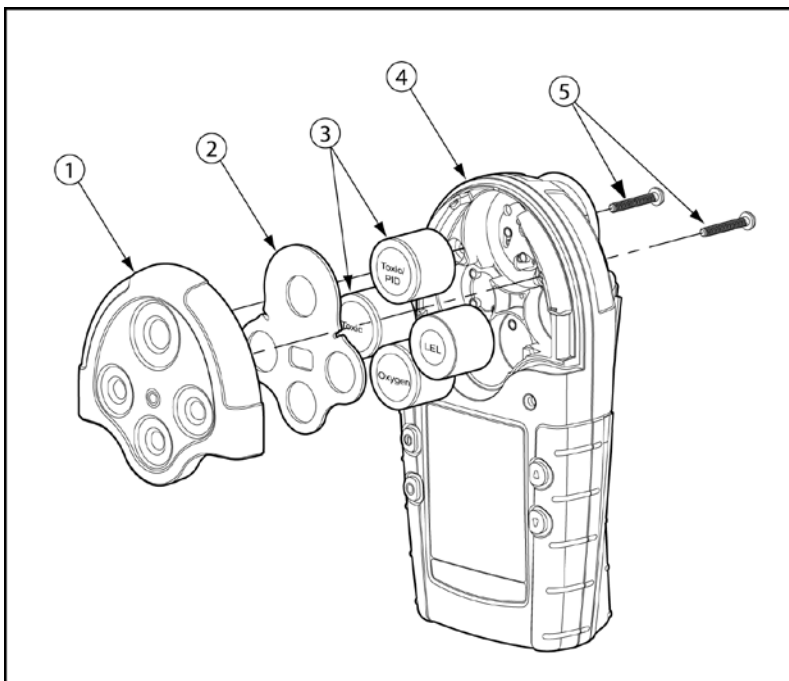
*motorized sampling option — the Sampler — is cULus, IECEx and ABS certified

February 4, 2010

This document explains alternative sampling options for GasAlertMicro 5 Series/X5 Series using the diffusion cover, the motorized sample pump, or the manual aspirator pump.

- [Installing the Diffusion Cover](#)
- [Using the Sampler](#) (motorized sample pump)*
- [Using the Manual Aspirator Pump](#)

Installing the Diffusion Cover



Item	Description
1	Diffusion cover
2	Sensor filter
3	Sensors
4	Detector
5	Machine screws (2)

Note

The sensors do not need to be removed when switching to the diffusion cover.

1. Deactivate the detector.
2. Remove the two machine screws on the rear shell and then remove the pump module.

Note

The sensors do not need to be removed when switching to the diffusion cover.

3. Replace the diffusion cover. Ensure a sensor filter is fitted in the diffusion cover.

Note

If you do not have a diffusion cover, contact your distributor or BW Technologies by Honeywell.

4. Re-assemble the detector.

5. Calibrate the detector.

* Motorized sampling option—the Sampler—is cULus, IECEx and ABS certified.

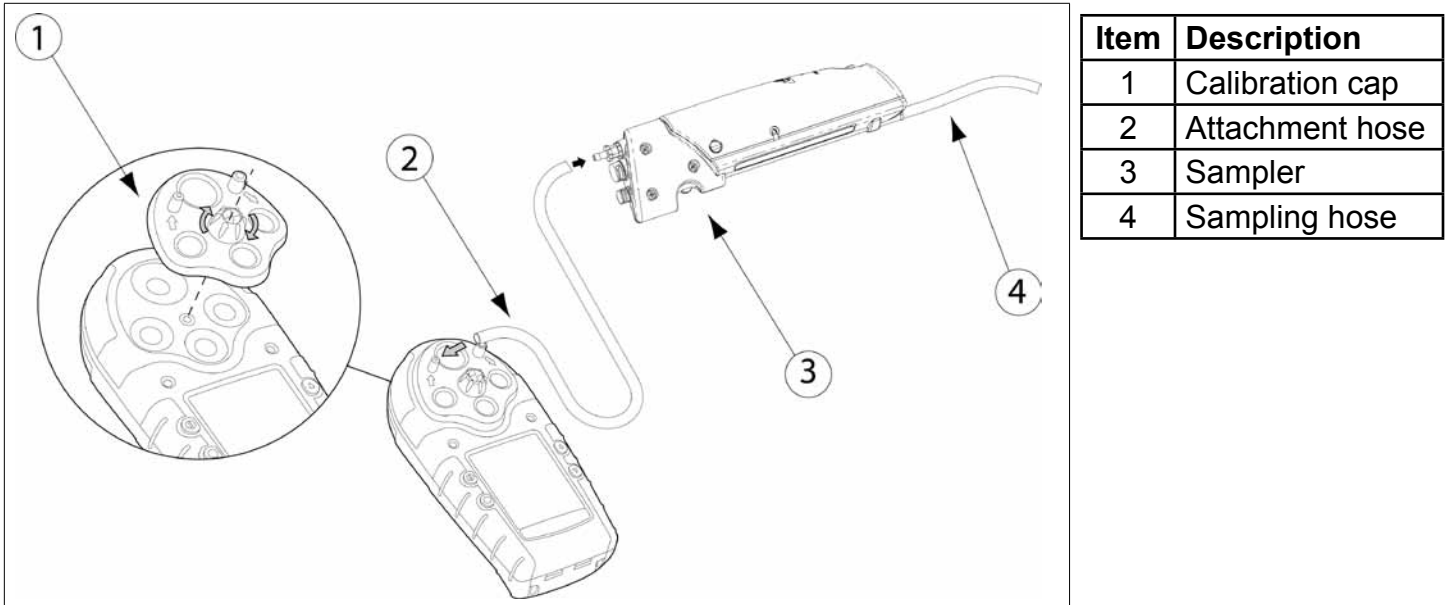
Using the Sampler

The Sampler is a spot sampling device that can be used with most BW single and multiple gas detectors. An internal motorized pump transports potentially hazardous gases from a sample area to the detector.

For more information on using the Sampler, refer to the Sampler User Manual.

Note

Motorized sampling option—the Sampler—is cULus, IECEx and ABS certified.

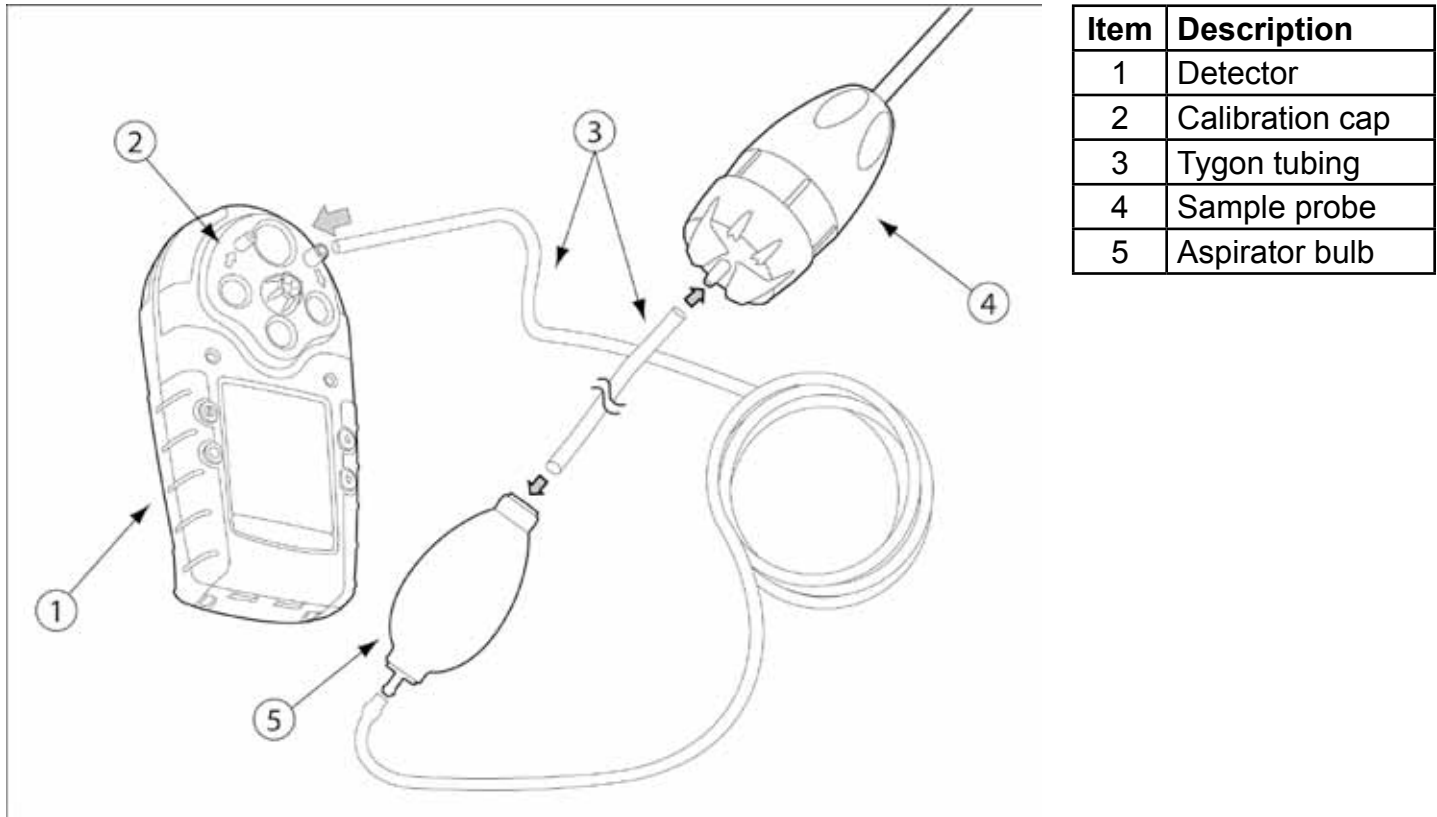


When using the Sampler with the GasAlertMicro 5 Series/X5 Series instruments, ensure the calibration cap is attached.

Using the Manual Aspirator Pump

The manual aspirator is a sampling device that can be used with most BW single and multiple gas detectors. An aspirator bulb transports potentially hazardous gases from a sample area to the detector.

For more information, refer to the Manual Aspirator Pump Instruction Sheet.



To prevent the Teflon lining inside the Tygon tubing from causing blockage when connecting it to the sample probe, the open end of the tubing must be flared. To flare the tubing, gently insert needle nose pliers into an end of the Teflon-lined Tygon tubing. Using a circular motion, flare the end of the hose.

Contacting BW Technologies by Honeywell

United States: 1-888-749-8878

Canada: +1-800-663-4164

Brazil: +55 11 3475 1873

Other countries: +1 403 248 9226

Europe: +44 (0) 1295 700 300

France: +33 (0) 442 98 17 70

Germany: +49 (0) 2137 17 6522

Middle East: +971 4 8871766

China: +86 10 6786 7305

South East Asia: +65 6580 3468

Australia: +613 9464 2770